

Drawer safe

Components

400
480
150
x1

- x8 screw $\varnothing 4 \times 16$
- x4 battery AA
- x2 emergency key
- x1 USB cable

NOTE: batteries are not included
Supply voltage for drawer safe Royal: 3.5-6.5V

Carcass dimensions

400
480
150

Installing the drawer safe

2

Screw the safe housing into the carcass (2)

FRONT

1

BAT- batteries need replacing
OK - password correct
ERR- password incorrect

AA batteries compartment

3

Attach Drawer front using $\varnothing 4 \times 16$ screws (1)

After securing the housing, insert the drawer into the drawer slides (3)

1. Opening drawer safe Royal (without a security code programmed)

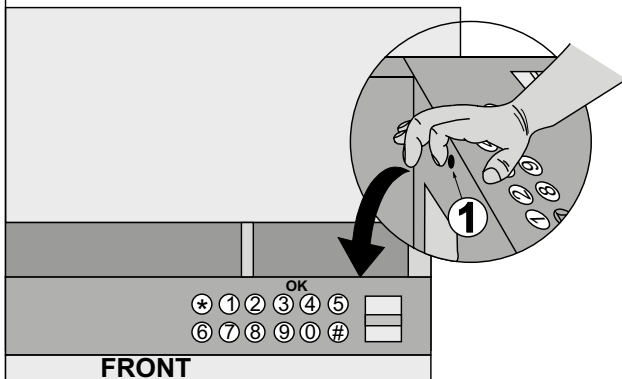
Pull out the drawer to reveal the digital panel

To open place your finger on the fingerprint reader or enter the factory Security code **1234** and confirm with **#** in order to release the locking bolt (The display will show OK and the drawer will pop out)



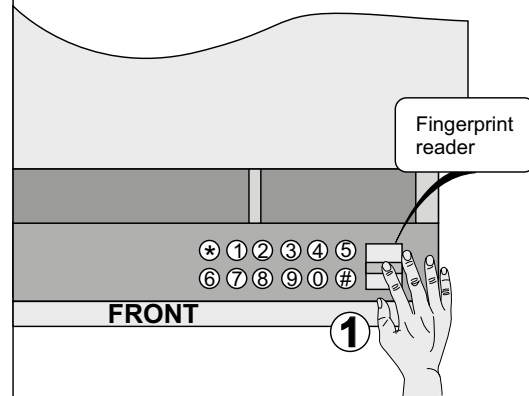
Drawer safe

2. How to Set an individual user code for drawer safe Royal



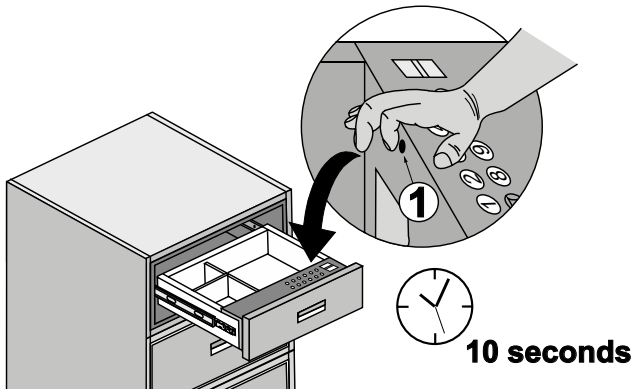
After opening the drawer safe using the fingerprint reader or factory security code, press the **RESET** button (1) until you hear a short "DI" signal. Then re-enter the factory unlock code **1234** and confirm using **#**. **OK** will be displayed. You can now enter your individual unlocking code, (4 to 6 digits) and confirm with **#**. The code should be repeated and again confirm with **#**. If the code is accepted, **OK** will be displayed. Your new safe unlock code is now active.

3. How to Set an individual user fingerprint for drawer safe Royal using the fingerprint reader



If the drawer safe has been previously programmed with an individual user code, it needs to be unlocked and opened with that same code, then the **RESET** button must be pressed until you hear a short 'DI' signal. Next insert your individual unlocking code again and confirm with **#**. Now place your finger (1) on the fingerprint pad, 'OK' will flash with a short "DI" signal, now repeat with your finger 3 more times. The display will go to standby. Your fingerprint is now active to unlock the safe.

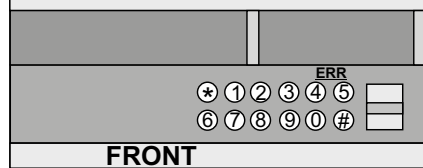
4. How to reset an individual user code



To completely reset the security codes of the safe, open the drawer and hold down **RESET** (1) for 10 seconds until the "DI DI" signal is heard. Reset will be confirmed by displaying the word **OK**.

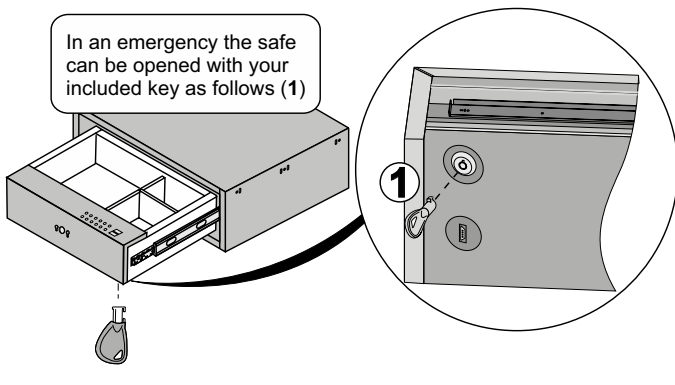
5. Touch panel lockout

Entering an incorrect unlock code 5x will cause the touch panel to lockout for 60 seconds and display the **ERR** message. After this time, the user can try again to unlock the safe.



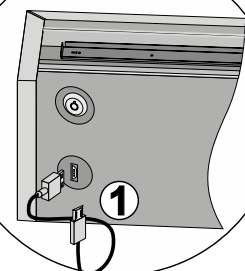
6. Emergency opening of the safe

In an emergency the safe can be opened with your included key as follows (1)



7. Power supply

The **micro USB type B** power socket (1) can be used to supply power to the safe in case of battery failure. The included power cord allows you to support the existing batteries. You can use a powerbank with voltage up to 3.7V



You cannot charge the safe's batteries through the USB connection.